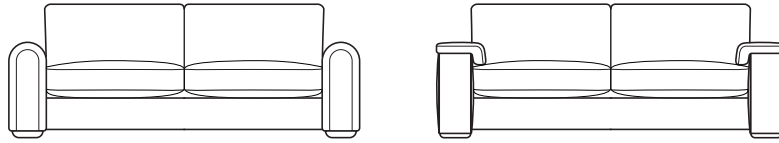

Design By You - Archy/Boxy



Thank you for purchasing this Furniture Village product. Please read the instructions and warnings carefully before use to ensure safe and satisfactory operation of this product.

At Furniture Village we are committed to making great products possible.

From our in-house Design Team, to our Buyers, we work together to bring great design to life.

Our expert Product Technologists work collaboratively with our buyers and suppliers to assure the legality, safety and quality of the product we sell.

We are all committed to designing and developing products to the highest industry standards.

We hope you are happy with your product and welcome any feedback or comments you may have.

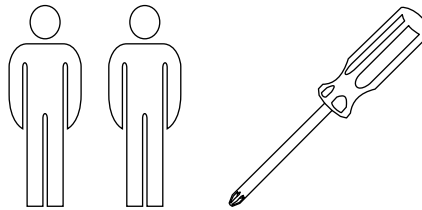
The Furniture Village Team

Time to assemble:

10 minutes

People to assemble:

Tools required:



Important Safety Information

Warnings

- ⚠ The product should only be used on firm, level ground.
- ⚠ Keep small parts out of reach of children.
- ⚠ Ensure the product is fully assembled as illustrated before use.

Do's

- ✓ Check the pack and make sure you have all the parts listed.
- ✓ Check all screws or bolts are tightened and inspect regularly.
- ✓ Make sure the legs remain in contact with the ground at all times.

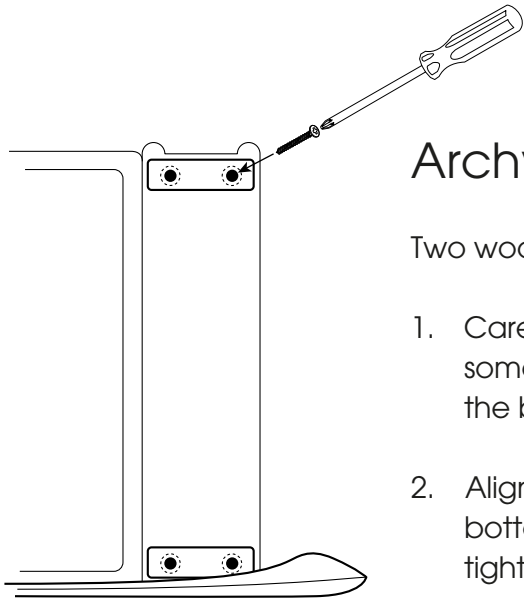
Don'ts

- ✗ Do not over tighten screws or bolts.
- ✗ Do not stand on the product.
- ✗ Do not use power tools to construct as overtightening and panel failure may occur.



Your home in one

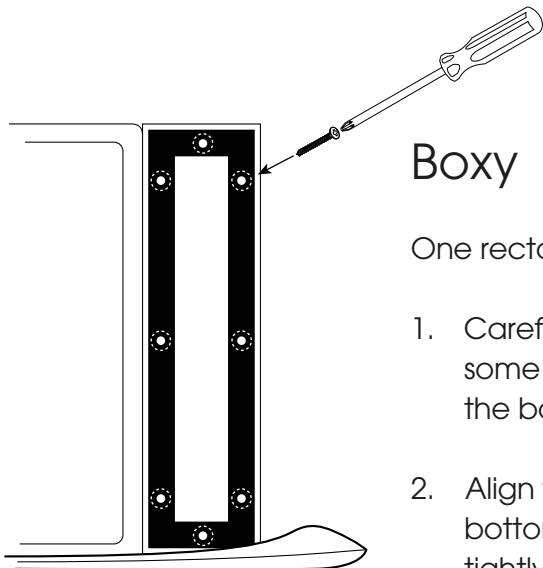
Fixing the feet to the Arms



Archy

Two wooden feet, with four screws, per arm:

1. Carefully lift and turn your sofa onto its back. Place some clean packaging, or an old cushion under the bottom edge of the sofa to raise it off the floor.
2. Align each foot with the screw threads in the bottom of each arm and, with a screwdriver, tightly screw into place.



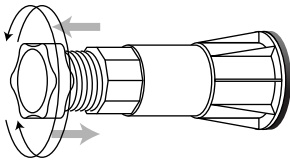
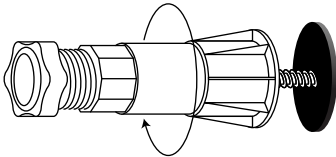
Boxy

One rectangular frame, with eight screws, per arm:

1. Carefully lift and turn your sofa onto its back. Place some clean packaging, or an old cushion under the bottom edge of the sofa to raise it off the floor.
2. Align the frame with the screw threads in the bottom of each arm and, with a screwdriver, tightly screw into place.

Adjustable leg - for the 180cm and 200cm centre box

The adjustable leg is used as extra support only on the 180cm and 200cm width centre boxes of the Sofas. The position of the adjustable leg is mid base.



1. Place a plastic washer on to the screw thread of each adjustable leg with the smooth side against the adjustable leg, the grooves against the Sofa base.
2. Align the screw thread with the appropriate hole in the seat base and screw in clockwise until tight. When tightening the bolt make sure it is parallel to the hole to prevent damage to the thread.
3. Adjust the height so the foot will be just short of the floor.
4. When all the legs are secured, carefully lift the product back onto its feet.
5. Adjust the height while the sofa is upright so the foot is ONLY JUST touching the floor.

Upholstery Care Guide

Your new upholstery has been handcrafted and built to the highest standards using carefully selected materials. With the correct care, your upholstery will provide years of comfort, safe in the knowledge that our frames are covered by a twenty-five year frame guarantee. Use this guide to help keep your upholstery in the best possible condition for longer.

Upholstery: It is very important to position your upholstery in the best possible position to keep it looking good for longer. Direct sunlight will always cause covers to fade and will weaken fibres over a period of time. Try to keep the sofa out of direct sunlight and if not possible, close curtains and blinds. Direct heat from radiators, heaters or fires can also cause materials to change colour or fade so position your furniture away from possible sources of heat.

We strongly recommend that wooden and delicate flooring is protected from possible marking by feet or castors by attaching the felt pads supplied with your product. Please ensure that your product sits on a level floor to avoid rocking or damage to the frame. Avoid dragging your upholstery and place furniture gently when moving it, as dropping or dragging may cause damage.

Cushions: Most cushion interiors will lose up to 25% of their volume in the first six months. In order to maintain their shape, shake, plump and dress your upholstery daily. Cushions should also be rotated weekly to ensure even wear on seats and back covers.

All fillings will compress when used, just like a pillow. Cushion maintenance is a really important routine that keeps your upholstery in good condition. At least weekly complete a turn and plump.

Maintenance and Cleaning: Please follow these points to keep your upholstery looking great for years to come.

- Dust will cause wear on a fabric, we recommend gently vacuuming (without brush attachments) your upholstery at least once a week. Include the gaps between the seats and arms, and under and behind the cushions.

- Upholstery with fixed covers are designed to be cleaned whilst on the upholstery frame. We recommend that a professional cleaning company be used to clean your sofa. This should be cleaned every 12-18 months. Remember to clean colour co-ordinated items at the same time!
- Always attend to spills immediately, we do not recommend the use of chemical cleaners, if you choose to use stain removing products always follow the manufacturers' guidelines as they can cause a ring or fading - try plain water first.
- Do not place hot items such as hot water bottles, cups, laptops on your upholstery as they may mark leather or more delicate fabrics.
- Ensure chemicals don't come into contact with your fabric e.g. hair products, suncream, body lotions, etc.
- Take care to prevent sharp objects like studs and belt buckles as these can snag the toughest of fabrics. Also avoid placing objects such as pens, keys and footwear onto covers.
- We don't recommend that pets use your upholstery, doing so could result in premature wear and damage.

Accidental Spillage: Where possible always tip liquid spillages from the surface of the fabric and blot excess liquid with tissues or a soft cloth.

If necessary, sponge the area but do not over wet as water can shrink fabrics or their backing fibres. Remember to damp a complete panel to avoid marking and always remove stains in the direction of the pile.

BE GENTLE - do not rub or scrub as this only spreads the stain and can damage fabrics.

The logo for Furniture Village, featuring the words "Furniture" in a simple sans-serif font above "Village" in a larger, elegant script font, all contained within a black square.

Your home in one